

CLASS FIVE® TOILET K-3979

ADA

CSA B651

OBC

Features

- Vitreous china
- Elongated bowl
- Class Five® flushing system
- Polished chrome trip lever
- Less seat and supply
- 12" (305 mm) rough-in
- 1.6 gpf (6.0 lpf)
- 2-1/8" (54 mm) glazed trapway
- Optional tank cover locks
- 11-3/8" (289 mm) x 8" (203 mm) water area
- 29-3/4" (756 mm) x 18" (457 mm) x 31-1/4" (794 mm)



Codes/Standards Applicable

Specified model meets or exceeds the following:

- ADA
- ICC/ANSI A117.1
- CSA B651
- OBC
- ASME A112.19.2/CSA B45.1

Colors/Finishes

- 0: White
- Other: Refer to Price Book for additional colors/finishes

Accessories

- 0: White
- CP: Polished Chrome
- Other: Refer to Price Book for additional colors/finishes

Specified Model

Model	Description	Trip Lever	Colors/Finishes	
K-3979	Class Five toilet (shown)	left-hand	<input type="checkbox"/> 0	<input type="checkbox"/> Other_____
K-3979-RA	Class Five toilet	right-hand	<input type="checkbox"/> 0	<input type="checkbox"/> Other_____
K-3979-T	Class Five toilet with tank cover locks	left-hand	<input type="checkbox"/> 0	<input type="checkbox"/> Other_____
K-3979-TR	Class Five toilet with tank cover locks	right-hand	<input type="checkbox"/> 0	<input type="checkbox"/> Other_____

Recommended Accessories

K-4636	Cachet® Quiet-Close™ seat with Quick-Release™ functionality	<input type="checkbox"/> 0		<input type="checkbox"/> Other_____
K-4688	Cachet elongated toilet seat with cover	<input type="checkbox"/> 0		<input type="checkbox"/> Other_____
K-4731	Stronghold® elongated open-front toilet seat – for Accessibility compliance	<input type="checkbox"/> 0		<input type="checkbox"/> Other_____
K-7637	Angle supply with stop – 3/8" NPT		<input type="checkbox"/> CP	<input type="checkbox"/> Other_____

Product Specification

The elongated bowl toilet shall be made of vitreous china. Toilet shall be 29-3/4" (756 mm) in length, 18" (457 mm) in width, and 31-1/4" (794 mm) in height with an 11-3/8" (289 mm) by 8" (203 mm) water area. Toilet shall be 1.6 gpf (6.0 lpf) with Class Five flushing system. Toilet shall include polished chrome trip lever. Toilet shall have 2-1/8" (54 mm) glazed trapway. Toilet shall be 12" (305 mm) rough-in. Toilet shall feature optional tank cover locks. Toilet shall be less seat and supply. Elongated bowl toilet shall be Kohler Model K-3979-____ or K-3979-____-_____.

Technical Information

Fixture:	
Configuration	two-piece, elongated
Water per flush	1.6 gpf (6.0 lpf)
Passageway	2-1/8 (54 mm)
Water area	11-3/8 (289 mm) x 8 (203 mm)
Water depth from rim	5-3/8 (137 mm)
Seat post hole centers	5-1/2 (140 mm)
Included components:	
Bowl	K-4199
Tank	K-4468
Tank cover	1138565
Trip lever	K-9379
Bolt cap accessory pack	1013092

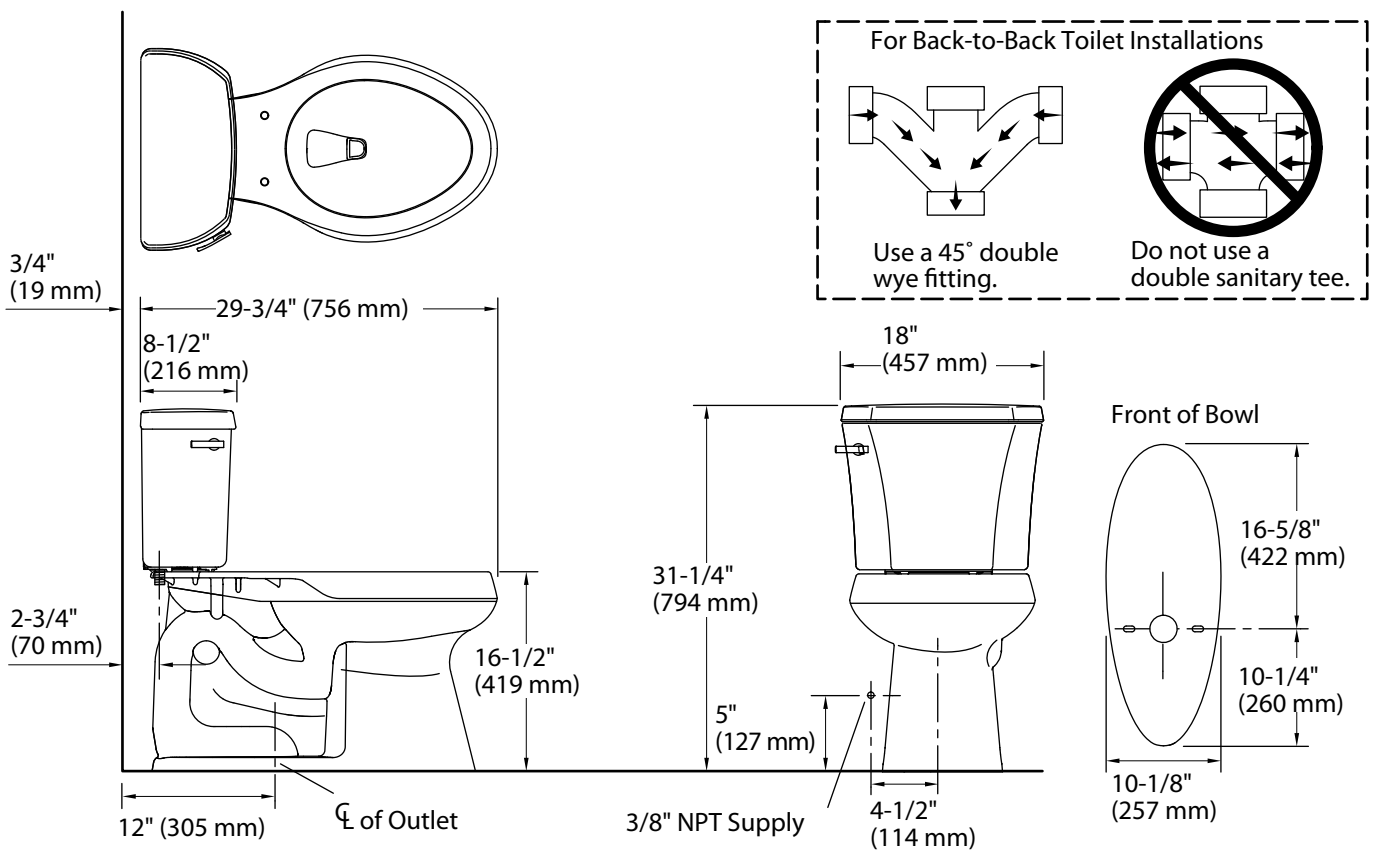
Installation Notes

Install this product according to the installation guide.
For back-to-back toilet installations: Use only a 45° double wye fitting.

Will comply with the Americans with Disabilities Act (ADA) when installed per the requirements of the 2010 ADA Standards for Accessible Design, Section 604 Water Closets, of the Act. The Model Plumbing Codes require the installation of elongated open-front toilet seats in public bathrooms.

Will comply with CSA B651 when installed per Clause 4.3.6 of the standard.

Will comply with OBC Barrier Free requirements when installed per Clause 3.8.3.8 and 3.8.3.9.



Product Diagram